



TBS-J40

Engine Data Sheet TBS 400N-J40P

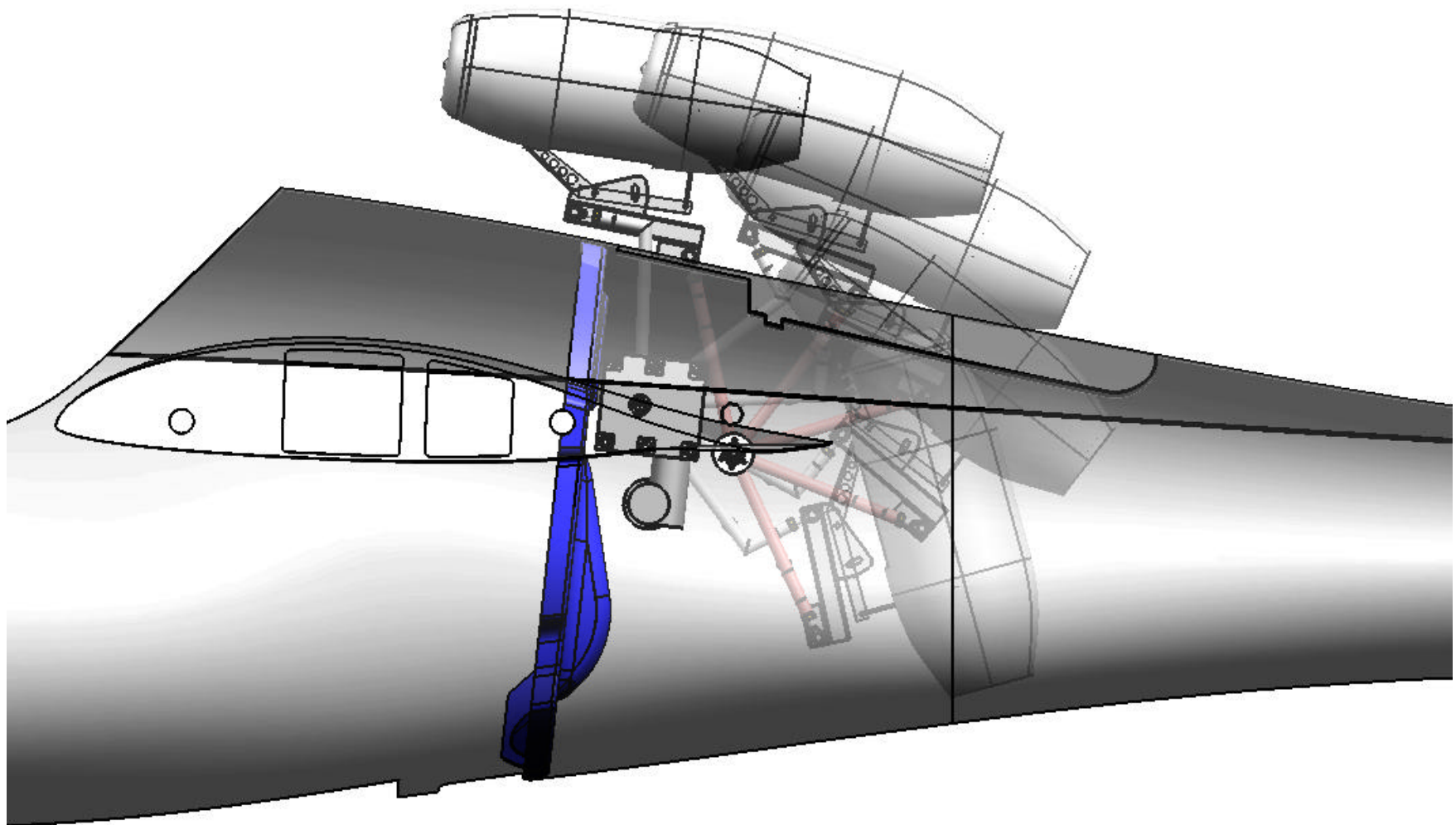
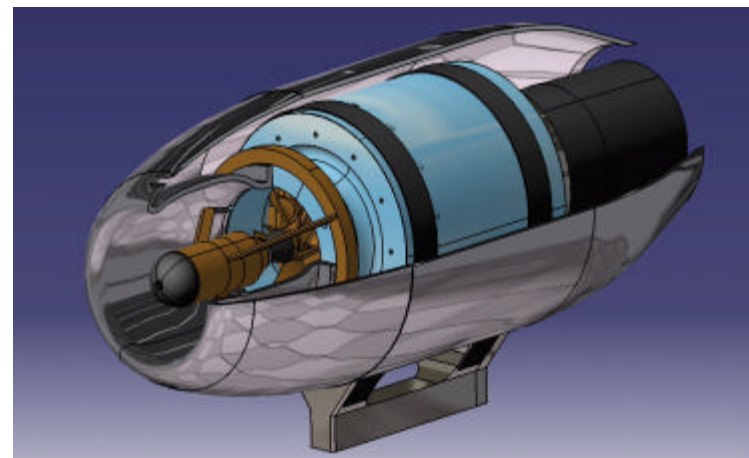
Performance and Type

Max. thrust 420 N
Rated max. Thrust 400 N
Thrust to Weight Ratio 10.5
SFC 35 g / kN * s
Mass Flow 0.78 kg/s
EGT red line 720 °C

Spools 1
Bearings Ceramic Hybrid with
Squeeze-film Damping
Compressor 1R
Pressure Ratio 3.8
Burner Annular / air blast
Turbine Single Stage Axial
Control Full Authority Digital
Electronic Control

Weights and Measures

Max. Diameter 156mm
Length 320mm
Dry Weight 4 kg



TBS Schwabhausen GmbH
 Blütenanger 40
 85247 Oberroth
 Tel. +49 8138 668342
 Fax +49 8138 668343

HpH Ltd.
 Cáslavská 126
 28401 Kutná Hora
 Czech Republic
 Tel +420 327 512 633
 Fax +420 327 513 441
 info@hph.cz
 www.hph.cz
 N 49°56' 47.9"
 E 15°17' 7.87"